

## UP - Stainless Steel Shelving Pot/Pan/Utility, Louvered or Solid

### SPECIFICATION:

**UP Model** Pot/Pan/Utility System is produced from 16-gauge type 304 stainless steel construction. Shelf corners are fully welded, ground and polished smooth. A raised die-formed ledge encloses a stainless steel gusset welded to undersurface of shelf and fitted with two stainless steel screws for shelf height adjustment.

Posts are 1-5/8" OD tubes, 16-gauge 18-8 type 304, with top caps, and sanitary, adjustable stainless steel style feet. Units and components to NSF-approved and all exposed surfaces finished brush satin.

### PRODUCT GUIDE:

UP Systems are used in an efficient food service establishment. Pots, pans, racks and others are quickly transported between equipment and stored when not in use.

Easily assembled and adjusted.

Solid surface design provides easy access and quick clean up of spills. Large louvers allow uniform temperature distribution.

Stationary units provided with stainless steel posi-grip adjustable foot inserts.

Mobile units provided with 5" casters. See selection guide and information.

### OPTIONS:

- Solid or Louvered
- Correctional package
- Tamperproof screws or welded unit
- Special height or widths
- Mobile or Stationary
- Seismic bolt-down legs
- Modular System



\*Price page 21

Specifications subject to change without notice.



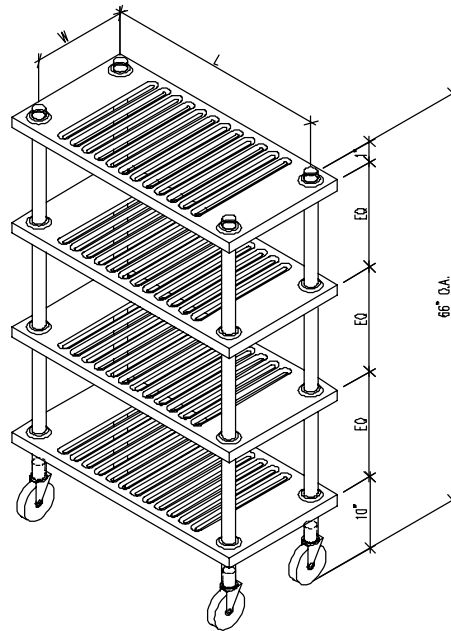
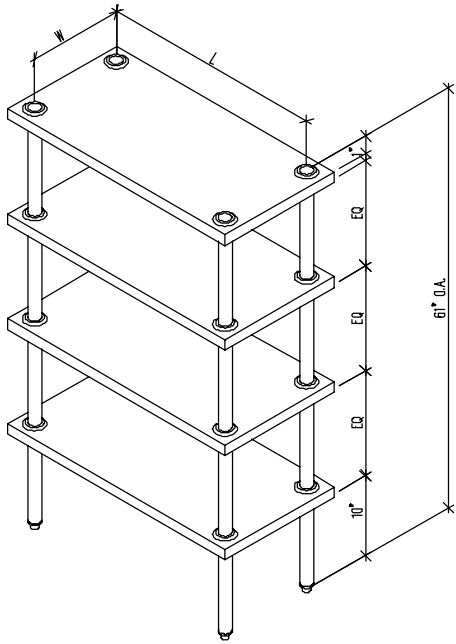
P.O. Box 206  
Copiague, NY 11726-0206

800-221-5644/631-789-8881  
Fax: 631-789-3633

[www.imcteddy.com](http://www.imcteddy.com)

UP-30 1007

# UP - Stainless Steel Shelving Pot/Pan/Utility, Louvered or Solid



## SHELVING UNITS, LOUVERED OR SOLID 4-Tier Complete Unit, 61" O.A. Height (1549mm)

SOLID MODEL #	LOUVERED MODEL #	SIZE (W x L)	METRIC	WEIGHT
UP-3624-4S	UP-3624-4L	24" x 36"	610 x 914	129
UP-4224-4S	UP-4224-4L	24" x 42"	610 x 1067	142
UP-4824-4S	UP-4824-4L	24" x 48"	610 x 1219	154
UP-5424-4S	UP-5424-4L	24" x 54"	610 x 1372	167
UP-6024-4S	UP-6024-4L	24" x 60"	610 x 1524	179
UP-3627-4S	UP-3627-4L	27" x 36"	686 x 914	138
UP-4227-4S	UP-4227-4L	27" x 42"	686 x 1067	152
UP-4827-4S	UP-4827-4L	27" x 48"	686 x 1219	165
UP-5427-4S	UP-5427-4L	27" x 54"	686 x 1372	179
UP-6027-4S	UP-6027-4L	27" x 60"	686 x 1524	193
UP-3630-4S	UP-3630-4L	30" x 36"	762 x 914	147
UP-4230-4S	UP-4230-4L	30" x 42"	762 x 1067	162
UP-4830-4S	UP-4830-4L	30" x 48"	762 x 1219	177
UP-5430-4S	UP-5430-4L	30" x 54"	762 x 1372	192
UP-6030-4S	UP-6030-4L	30" x 60"	762 x 1524	207

NOTE: ALL ABOVE SHELVING UNITS CAN BE ORDERED AS STANDARD UNITS WITH 3 OR 5 SHELVES PER UNIT, BY SIMPLY CHANGING THE LAST DIGIT IN THE MODEL NUMBER TO REFLECT THE CORRECT NUMBER DESIRED.

\*See Price book page 21 & 29-30 for individual shelves, posts, and options.

Specifications subject to change without notice.



P.O. Box 206  
Copliague, NY 11726-0206

800-221-5644/631-789-8881  
Fax: 631-789-3633

[www.imcteddy.com](http://www.imcteddy.com)

UP-30 1007