

D - Stainless Steel Dunnage Racks Heavy Duty, Louvered or Solid

SPECIFICATION:

D Model Dunnage Rack is produced from 16-gauge type 304 stainless steel corners fully welded and ground smooth. Unit to be supported by 1-5/8" OD, 18-8 type 304 stainless steel upright posts, and sanitary, adjustable stainless steel feet for leveling. All dunnage racks are NSF-approved.

PRODUCT GUIDE:

D units are built heavy duty for transporting bulky, heavy packages and for direct storage in dry and refrigerated areas.

Easily assembled.

Solid surface design provides easy access and quick clean up of spills. Large louvers allow uniform temperature distribution.

Stationary units provided with stainless steel posi-grip adjustable foot inserts, attached to posts.

Mobile units provided with 5" casters. See selection guide and information.

OPTIONS:

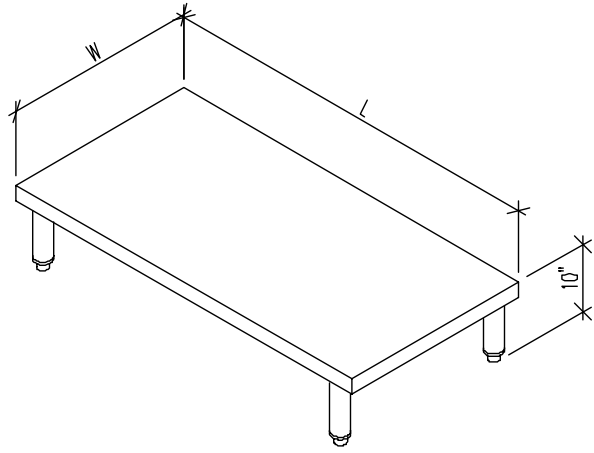
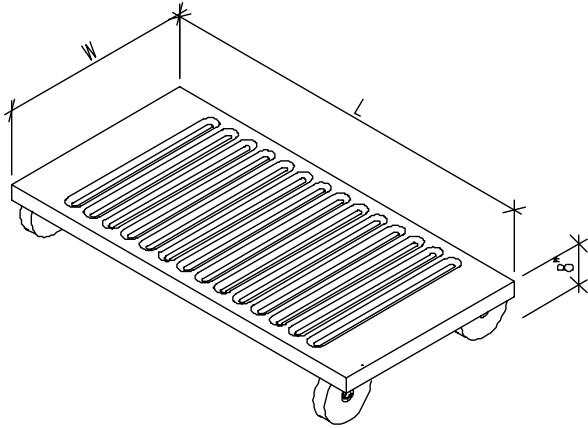
- Solid or Louvered
- Correctional package
- Welded unit
- Special height or widths
- Mobile or Stationary
- Seismic bolt-down legs
- Extra heavy duty (14GA)
- Super heavy duty (12GA)



*Price Page 22

Specifications subject to change without notice.

D - Stainless Steel Dunnage Racks Heavy Duty, Louvered or Solid



DUNNAGE RACKS-STATIONARY, LOUVERED OR SOLID (16GA Racks, 1 5/8" x 10" High Posts)

SOLID MODEL #	LOUVERED MODEL #	SIZE (W x L)	METRIC	WEIGHT
D-3618-S	D-3618-L	18" x 36"	457 x 914	39
D-4218-S	D-4218-L	18" x 42"	457 x 1067	42
D-4818-S	D-4818-L	18" x 48"	457 x 1219	44
D-5418-S	D-5418-L	18" x 54"	457 x 1372	47
D-3621-S	D-3621-L	21" x 36"	533 x 914	41
D-4221-S	D-4221-L	21" x 42"	533 x 1067	44
D-4821-S	D-4821-L	21" x 48"	533 x 1219	47
D-5421-S	D-5421-L	21" x 54"	533 x 1372	50
D-3624-S	D-3624-L	24" x 36"	610 x 914	43
D-4224-S	D-4224-L	24" x 42"	610 x 1067	47
D-4824-S	D-4824-L	24" x 48"	610 x 1219	50
D-5424-S	D-5424-L	24" x 54"	610 x 1372	53
D-3627-S	D-3627-L	27" x 36"	686 x 914	46
D-4227-S	D-4227-L	27" x 42"	686 x 1067	49
D-4827-S	D-4827-L	27" x 48"	686 x 1219	53
D-5427-S	D-5427-L	27" x 54"	686 x 1372	56

See Price book page 29-30 for options

Specifications subject to change without notice.



P.O. Box 206
Copiague, NY 11726-0206

800-221-5644/631-789-8881
Fax: 631-789-3633

www.imcteddy.com

D-30 1007