

Project Name: _____

Consultant: _____

Item #: _____

Model #: _____

Quantity: _____



Model TMSS
Shown/ Optional
Accessory
Holder

Specifications

TMS Model Tubular Equipment Stand is constructed of 14-gauge #304 stainless steel with sanitary marine worktop and heavy duty 16-gauge tubular support legs with 5" diameter casters (two with brakes). Optional angle slides are welded to the uprights in pairs. Alternately, undershelf and bottom shelf can be substituted. See options and price page.

TMSS Model is same as TMS except stationary with adjustable feet.

Product Guide

IMC Slicer/Equipment Stands are specially designed to provide sanitary carefree use - to permit quick, efficient and thorough cleaning.

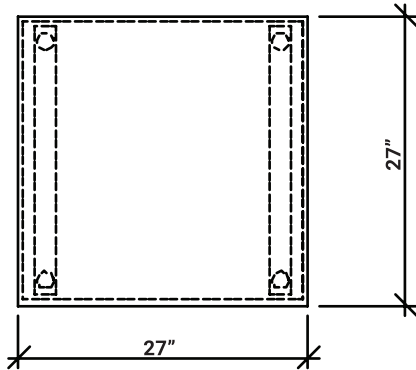
These units are compact design and utilized throughout the facility to store and transport equipment. Tray slides and drawers are used to transport and store hand appliances and other accessories.

Options

- 5" diameter casters with brakes
- "Posi-Loc" positive locking system (for mobile units)
- Stainless steel drop shelf
- Angle slides
- Removable pan slides
- Accessory holder
- Seismic bolt-down legs
- 6" NFS adjustable legs
- Under-shelves/bottom shelf
- Under-mount drawer

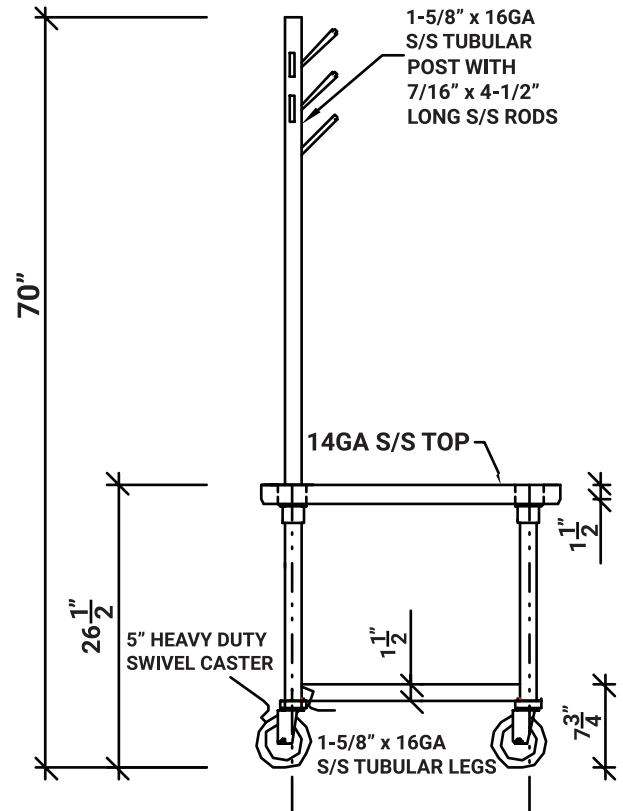
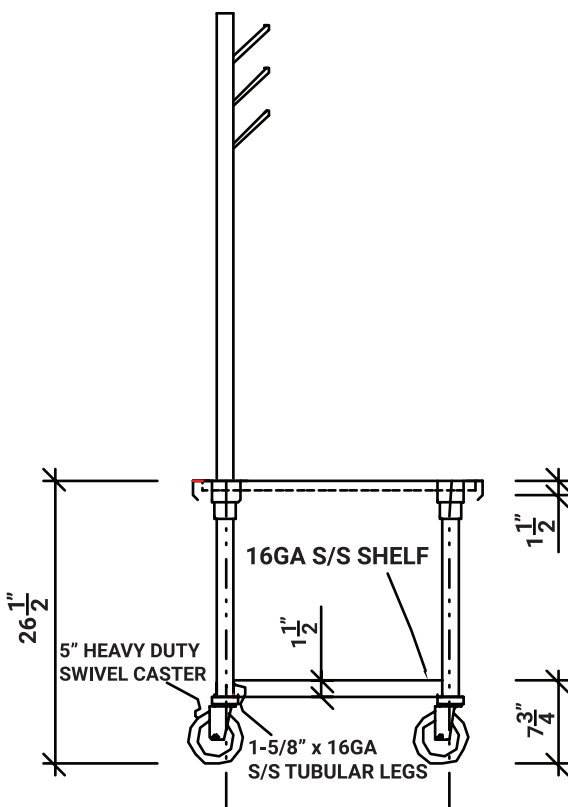


TMSS-40 0716
TMS-40 0716



PLAN

**TMS - Universal Slicer/Mixer Stand
(shown with options)**



Model	Size (W x L)	Weight
□ TMSS-30	30" x 27"	60 lbs
□ TMSS-24	24" x 24"	60 lbs
□ TMS-30	30" x 27"	70 lbs
□ TMS-24	24" x 24"	70 lbs

Specifications subject to change without notice.

TMSS-40 0716
TMS-40 0716