

Project Name: \_\_\_\_\_

Consultant: \_\_\_\_\_

Item #: \_\_\_\_\_

Model #: \_\_\_\_\_

Quantity: \_\_\_\_\_



Model SMSS  
Shown/ Optional  
Accessory  
Holder & Tray  
Slides

### Specifications

**SMSS Model** Universal Slicer & Mixer Stand is constructed of 14-gauge #304 stainless steel with sanitary marine work-top and flush, open cabinet body of 18-gauge stainless steel. Optional pan slides are adjustable and removable without tools. Bottom has sanitary marine edge at front and is supported on heavy duty stainless steel adjustable legs.

“SMS” unit is provided with heavy duty 5” diameter casters (two with brakes).

### Product Guide

IMC Slicer/Equipment Stands are specially designed to provide sanitary carefree use - to permit quick, efficient and thorough cleaning.

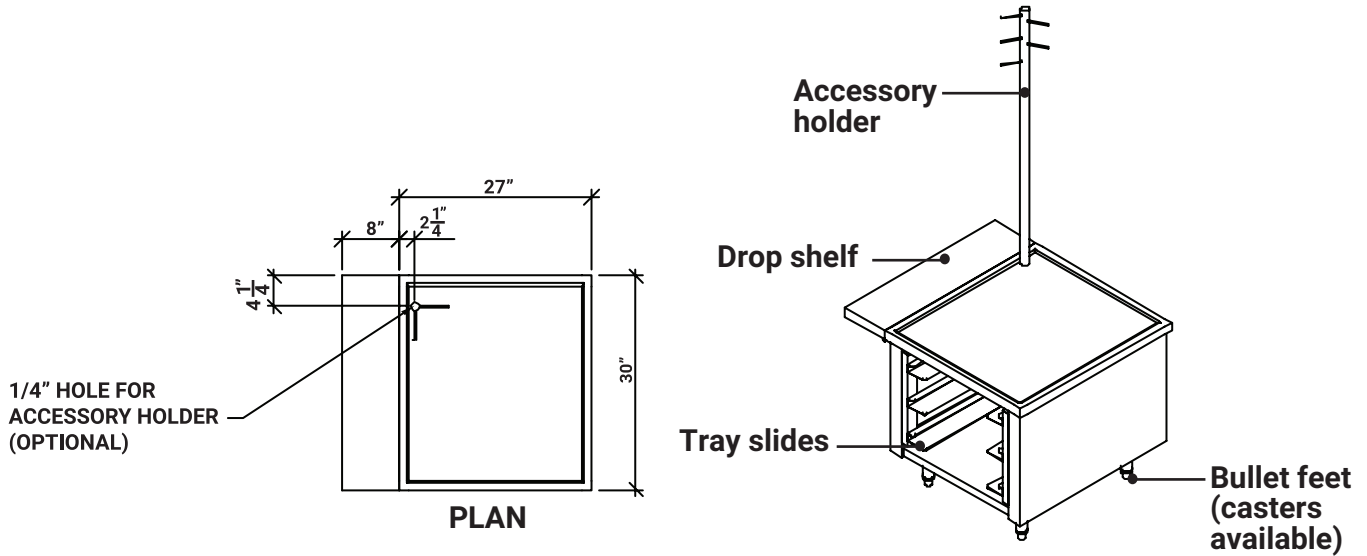
These units are compact design and utilized throughout the facility to store and transport equipment. Tray slides and drawers are used to transport and store hand appliances and other accessories.

### Options

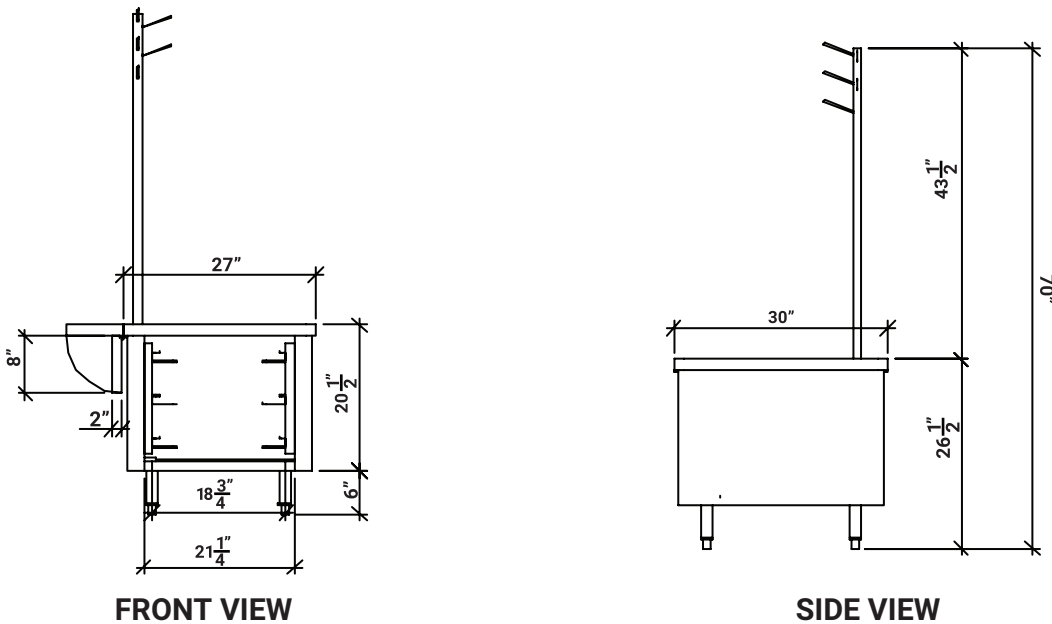
- 5” diameter casters with brakes
- “Posi-Loc” positive locking system (for mobile units)
- Stainless steel drop shelf
- Angle slides
- Removable pan slides
- Accessory holder
- Seismic bolt-down legs
- 6” NFS adjustable legs
- Under-shelves/bottom shelf
- Under-mount drawer



SMSS-40 0716  
SMS-40 0716



**SMS - Universal Slicer/Mixer Stand  
(shown with options)**



Model	Size (W x L)	Weight
□ SMSS-30	30" x 27"	76 lbs
□ SMSS-24	24" x 24"	76lbs
□ SMS-30	30" x 27"	85 lbs
□ SMS-24	24" x 24"	85 lbs

Specifications subject to change without notice.

SMSS-40 0716  
SMS-40 0716