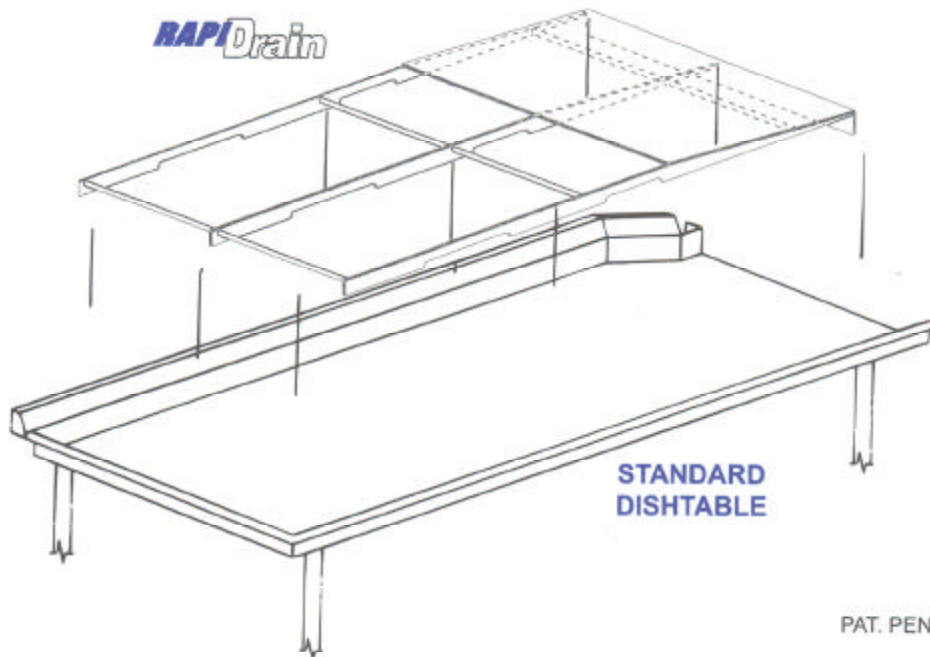


RAPIDrain™

Kitchenware Drainer

Are your clean kitchenware racks immersed in standing water? Do your clean dishtables not drain properly? Then try the **first** drainer designed specifically for the Food Service Industry to eliminate this problem and to compliment the **POWERDry™** kitchenware dryer.



Before the **RAPIDrain™**
Kitchenware Drainer

After the **RAPIDrain™**
Kitchenware Drainer

- * Cross contamination from standing water
- * Spotting of dishware due to splash
- * Excess water remains trapped in rack
- * Base of kitchenware items remain wet

- * Sanitary drying conditions
- * Reduces spotting problems
- * Disembogues water
- * Dry dishes/trays drain properly

- * Easy placement and removal
- * No maintenance required
- * Health Departments love them

A product of

SAN-AIRE
INDUSTRIES

*The solution to your
sanitary drying problems.*

101 W. Felix Street Fort Worth, TX 76115

Call Our Sales Department
817/924/7189 Fax: 817-921-3963

800-757-1912

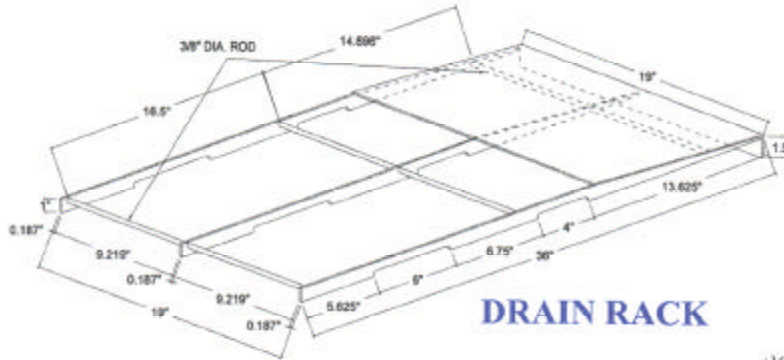
www.san-aire.com

Revised June 1, 2004

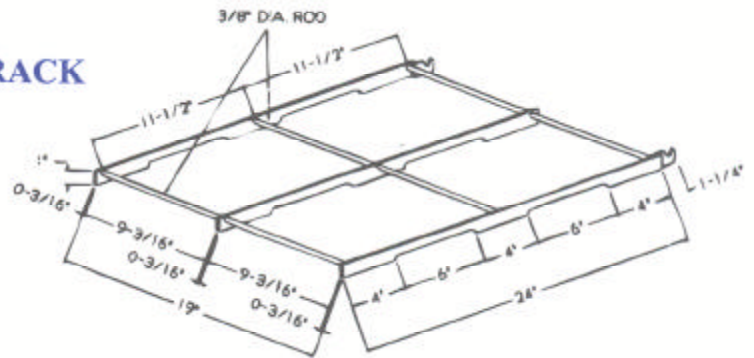
RAPIDrain™

Kitchenware Drainer

Dimensions (inches cm)



DRAIN RACK



DRAIN RACK EXTENSION

Bid Specifications

Model #	Description	Length	Width	Height	90° Lip	Construction
RD-101	Drainer	36	19"	1"	1-1/2"	All S/S Construction
RD-101-E	Extension	24"	19"	1"	N/A	All S/S Construction

Standard Equipment shall include:

- All stainless steel construction:
 - 1"x3/16" flat bar
 - 3/8" round rod
 - 16 ga. formed ends
- Openings on flat bar for water to flow through
- Rust resistant
- Warranty - One (1) year workmanship

Options & Accessories

- Custom sizing available.
Contact factory for pricing.

Notes:

- Due to ongoing analysis programs at San Aire Industries, specifications are subject to changes without notice.

Our Sales Representative in your area is: