



TEST OUR METAL®

Economy Tray Delivery Cart (One Door, Two Trays per Slide)

For 15" X 20" and 14" X 18" Trays

- Top and base are welded to body of the unit for added strength.
- 20 gauge Stainless Steel for durability and cleanability.
- 1" square tubing frame with welded 18-gauge preformed side panels/tray slides.
- Doors open 270 degrees, are equipped with center reinforcement and heavy duty flag hinges. Comes standard with built in flush mounted door handle.
- Designed to hold 15" X 20" or 14" X 18", trays with spacing on 5 1/4" centers.
- Plate-type 5" diameter casters, 2 fixed, 2 swivel with brakes.

Job: _____

Item No. _____

Models

- VC-10-TDE
- VC-12-TDE
- VC-14-TDE
- VC-16-TDE
- VC-20-TDE
- VC-24-TDE



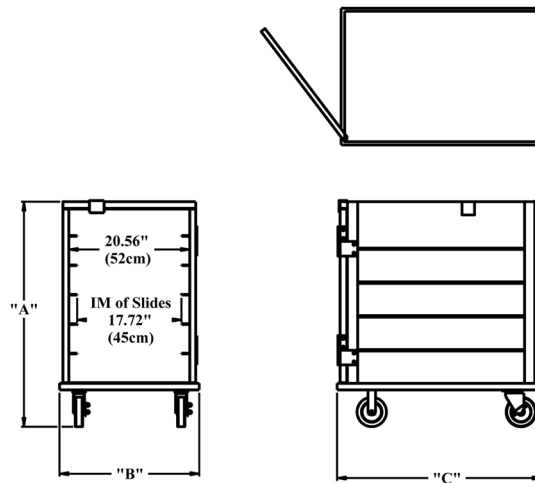
**VC-10-TDE shown
with optional top rail**



Made in USA

451 E. County Line Rd. • P.O. Box 1089 • Mooresville, IN 46158
Toll Free 800-733-8073 • Local 317-831-7030 • Fax 317-831-7036
www.secoselect.com

MODEL #	TRAY CAPACITY	HEIGHT DIM A	WIDTH DIM B	DEPTH DIM C	SHIPPING CUBE FEET	SHIP WEIGHT
VC-10-TDE	10	37 1/8"	23 3/4"	34 1/4"	19.7	215
VC-12-TDE	12	42 3/4"	23 3/4"	34 1/4"	22.4	235
VC-14-TDE	14	48 1/8"	23 3/4"	34 1/4"	25.1	255
VC-16-TDE	16	54"	23 3/4"	34 1/4"	27.1	275
VC-20-TDE	20	65 1/4"	23 3/4"	34 1/4"	32.2	295
VC-24-TDE	24	76 1/2"	23 3/4"	34 1/4"	37.2	315



GENERAL: Cabinet shall be all Stainless Steel construction. All exterior surfaces shall be ground and polished to a #3 finish.

BASE: Base shall be 18 ga. #430 stainless steel and shall be reinforced with 1/8" thick steel cross brace.

INNER CABINET: Inner cabinet shall be constructed using 18 ga, #430 stainless steel. Cabinet shall accommodate 15" x 20" or 14" x 18", 12" x 19", and 12" x 20" trays. Slides shall be constructed using 20 ga stainless steel and shall be welded together to form side panels.

DOOR: Door shall be constructed using 18 ga stainless steel. Door shall have two (2) heavy-duty, 5/8" thick extruded flag type hinges. Door shall be removable without tools and shall have recessed handles. Door shall have a heavy-duty positive action magnetic latch and shall come standard with a transport latch.

CASTERS: Cabinet shall come complete with 4-5" non-marking plate casters, 2 rigid and 2 swivel. Casters shall have a weight capacity of 200 lbs each.

Accessories, Options, Variations

- Top Perimeter Bumper
- Transport Locks
- Door Gaskets
- Left Hand Door (no additional charge)
- PTS – Pass Through
- Floor Drain
- Menu Card holder
- Tow Hitch
- Top Rail
- Drain

We reserve the right to change specifications and product design without notice. Such revisions do not entitle the buyer to corresponding changes, improvements, additions or replacement for previously purchased equipment.



TEST OUR METAL®

451 E. County Line Rd. • P.O. Box 1089 • Mooresville, IN 46158
 800-733-8073 • Local 317-831-7030 • Fax 317-831-7036
www.secoselect.com