



## Merrychef Stack-48 Stacking Stand

ONE STAND TO BE SECURELY PACKED PER BOX  
ALL HARDWARE TO BE PLACED IN PLASTIC BAG

### Dimensions

Height to top of top shelf at highest setting:  
48.25"  
Adjusted to 47" at the middle setting  
Adjusted to 45.75" at the bottom setting  
\*Amount of adjustment is 1.25" between settings

Height to top of bottom shelf at highest setting:  
21.5"  
Adjusted to 20.25" at the middle setting  
Adjusted to 19" at the bottom setting  
\*Amount of adjustment is 1.25" between setting

Height of Castor: 3.15" (80mm)

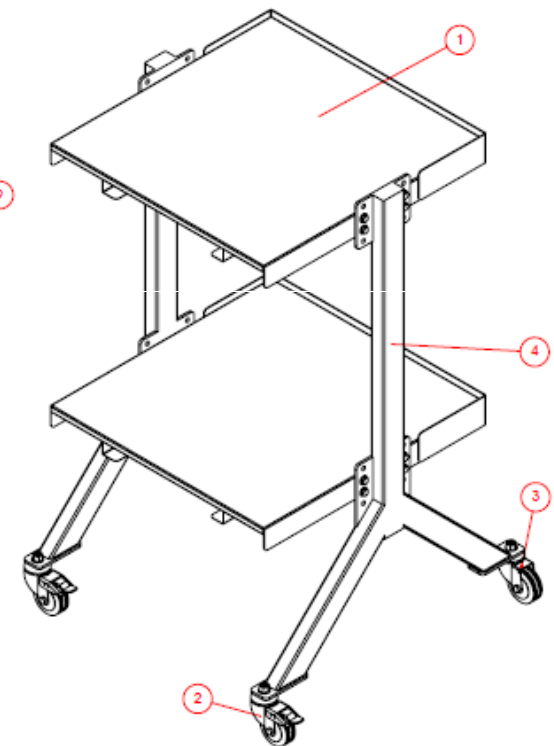
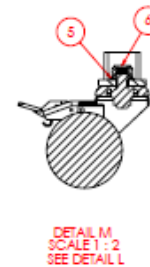
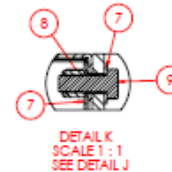
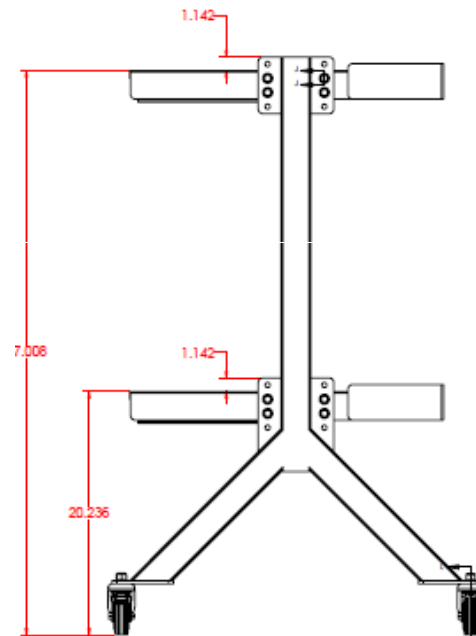
Width from outer leg to outer leg: 28.2"  
Width of shelf itself: 25.2"  
Width of each leg: 1.5"

Depth from front of shelf to back of shelf: 26.1"

Recommended clearance for ovens is 2" inches  
around all sides.

Stack-48 includes shelf paddle runners to allow for  
storage of the paddle under each shelf.

For use with e4/e6/63R/603R ovens.



ITEM NO.	PART NUMBER	QTY.
1	SR3-08	1
2	30mm locking castor	2
3	30mm non locking castor	2
4	Stand Leg	4
5	92217A540 1/2" ID WASHER	4
6	91831A137 1/2" NYLON LOCKING NUT	4
7	98019A399 3/8" ID WASHER	32
8	91831A127 3/8" NYLON LOCKING NUT	16
9	92240A624 3/8"-16 X 1" HEX HD BOLT	16