



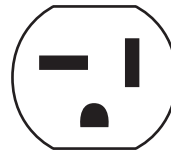
# POWER PACK

## DUAL STATION - COOLING DISTANCE 750'

- Engineered by beer-industry experts for performance and value
- Digital thermostat for accurate glycol bath temperature
- Expanded urethane foam insulates cabinet to maintain glycol temperature and minimize condensation
- Exterior sight glass to verify glycol bath level



**MMPP4307-PKG**



6-20P

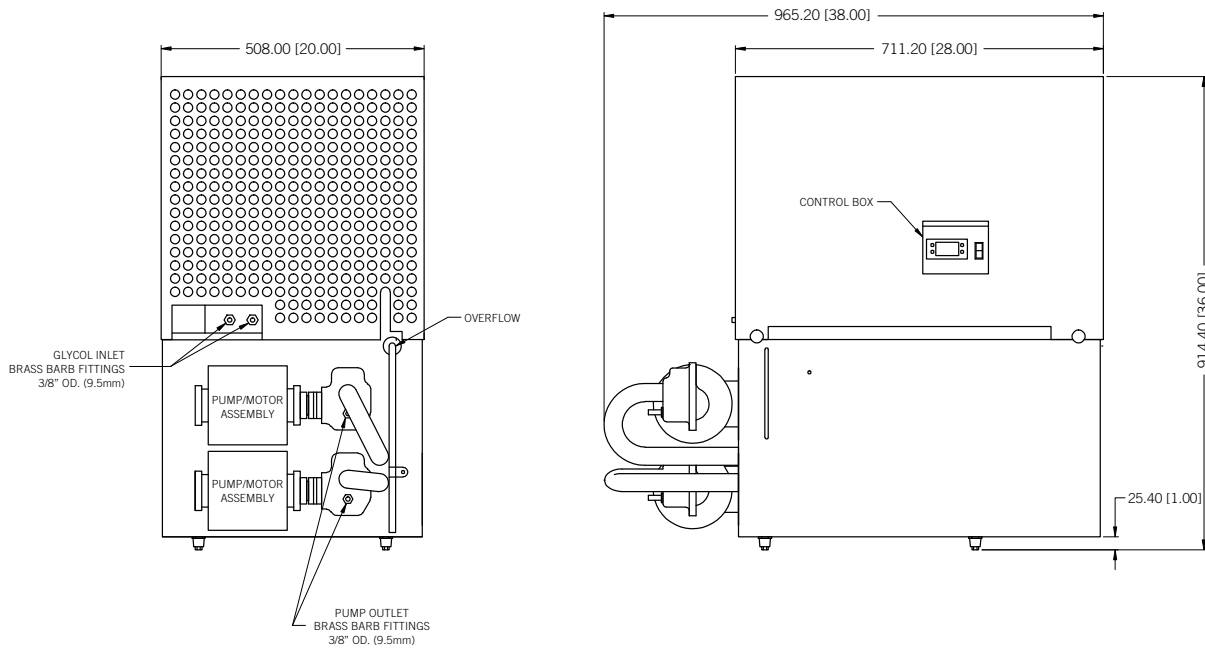


Part No.	Description	Shipping Weight
<input type="checkbox"/> MMPP4307-PKG	Air Cooled Power Pack, 2 Pump/Motor	134 kg 295 lbs

Operating Performance

Compressor	1 1/2 HP
BTU per hour	11,500
Plug Type (NEMA #)	6-20P
Voltage	208/230
Running	14.5A
Refrigerant	R-404A
Charge	1.58 kg (56 oz)
Bath Capacity	43.5 litre (11.5 Gallons)
Pump & Motors	2
Pump Type	Vane
Pump Motor	1/3 HP
Inlet Barb	9.52mm (3/8")
Outlet Barb	9.52mm (3/8")

Dimensions



 **MICRO MATIC**  
 Toll-Free: 1-866-327-4159  
[www.micromatic.com](http://www.micromatic.com)

**West**  
 19791 Bahama St.  
 Northridge, CA 91324  
 Tel. (818) 701-9765  
 Fax. (818) 701-9844

**Central**  
 10726 North Second St.  
 Machesney Park, IL 61115  
 Tel. (815) 968-7557  
 Fax. (815) 968-0363

**Southeast**  
 2386 Simon Ct.  
 Brooksville, FL 34604  
 Tel. (352) 799-6331  
 Fax. (352) 796-2429

**Northeast**  
 4601 Saucon Creek Rd.  
 Center Valley, PA 18034  
 Tel. (610) 625-4464  
 Fax. (610) 625-4466