

Direct Steam Kettle

2/3 Jacketed
Deep Drawn Construction
Stationary, Floor Mounted
Made in USA

Model LTCR

Standard Features



Model LTCR-60 shown with custom dispensing faucet

- ◆ Kettle System
 - ◇ 304 stainless liner
 - ◇ 304 stainless draw-off tube and welds
 - ◇ 304 stainless 2" compression draw-off
- ◆ 304L stainless kettle jacket
- ◆ 304 stainless leg socket supports, welded to jacket
- ◆ 304 stainless legs provided with reinforced bracing
 - ◇ 4 legs for 40 - 60 gallon, 1 5/8" diameter
 - ◇ 4 legs for 80 - 150 gallon, 2" diameter
- ◆ 30 psi operating pressure up to 125 gallon; 25 psi for 150 gallon
- ◆ 304 stainless, seam welded control console
- ◆ 304 stainless, one piece, domed cover
- ◆ Recirculating pump with automatic timer and manual control
- ◆ Graduated, break-resistant coffee level sight glass
- ◆ Gridded riser basket with canvas coffee bag and stainless spreader ring
- ◆ Bag removal hoist
- ◆ Water fill connection
- ◆ Adjustable flanged feet

Legion equipment is built to comply with applicable standards for manufacturers. Approval agencies may include ASME, NSF, UL, ETL, AGA, CSA, CGA and others. Legion reserves the right of design improvement or modification as warranted.

Models and Capacities

Optional Features and Accessories

See price list for supplemental information regarding options

Model	Capacity (gal.)	Capacity (L.)	Prison/Security:	PUMP MOTOR OPTIONS			
				Voltage	φ Phase	Amps	H.P.
LTCR-40	40 gal.	(151 L.)	_Draw-off protection package				
			_Fasteners (screws & nuts)				
LTCR-60	60 gal.	(227 L.)	_Nut driver tool	115	1	5.2	1/3
			_Screw driver tool				
LTCR-80	80 gal.	(303 L.)	_Lockable lid	220	1	3.2	1/3
			_Lockable control cover				
LTCR-100	100 gal.	(379 L.)	Other Options:	230	1	2.6	1/3
			_Pressure switch				
LTCR-125	125 gal.	(473 L.)	_Elevated draw-off faucet 1/2"	208	3	1.4	1/3
			_Water supply plumbing assembly				
LTCR-150	150 gal.	(568 L.)	_Stainless mesh cloth coffee filter	230	3	1.2	1/3
			_Remote coffee fill				
			Accessories:	460	3	.6	1/3
			_Draw-off drain with 6 foot hose				
			_Cloth coffee bag insert with stainless spreader ring				
			_Care kit				

Revision 113



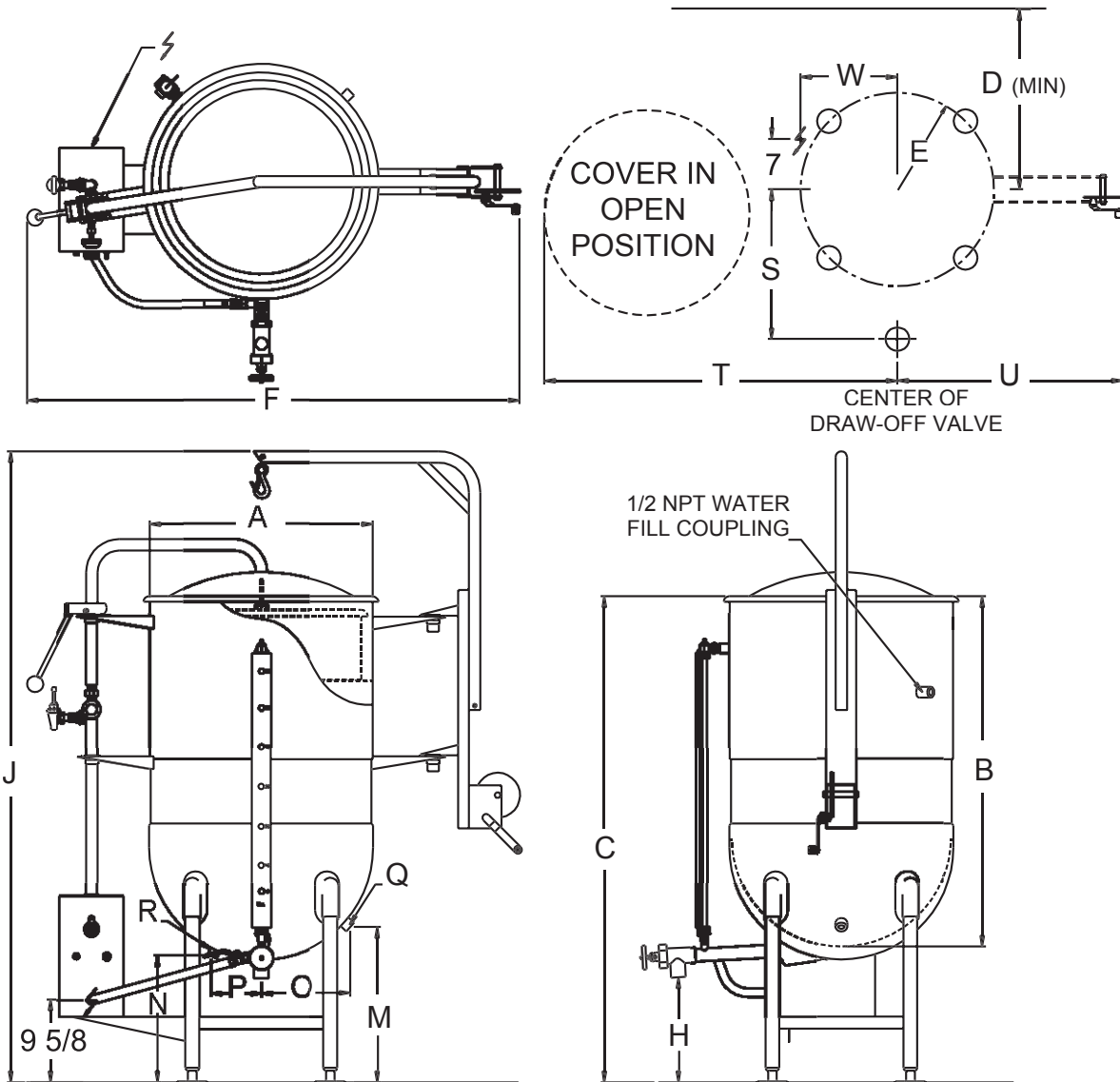
LEGION Legion Industries, Inc. P.O. Office Box 728 Waynesboro, GA 30830 (800) 887-1988
(706) 554-4411 Fax: (706) 554-2035 www.legionindustries.com sales@legionindustries.com

Model LTCR

2/3 Jacketed
Deep Drawn Construction
Stationary, Floor Mounted
Made in USA

Direct Steam Kettle

DRAWING REPRESENTS MODEL LTCR-60 WITH OPTIONAL ELEVATED SWING FAUCET



MODEL LTCR DIMENSIONS

Gal.	A	B	C	D	E	F	H	J	M	N	O	P	Q	R	S	T	U	W
40	23.0	35.5	51.3	18.6	12.5	54.6	12.5	68.3	17.0	14.6	8.5	5.3	.75	.50	17.0	49.1	28.9	18.4
60	25.5	40.5	56.3	19.9	14.2	58.0	12.5	73.3	18.0	14.6	10.4	5.6	.75	.50	18.4	52.9	30.1	19.6
80	29.5	41.5	58.3	26.9	15.0	59.0	12.5	74.3	18.5	15.8	10.8	6.4	.75	.50	20.4	58.9	32.1	21.6
100	32.5	42.5	59.5	28.5	15.0	62.0	12.8	81.0	18.5	15.8	10.8	6.4	1.00	.75	21.5	63.4	33.6	23.1
125	SPECIAL DESIGN AVAILABLE UPON REQUEST																	
150	SPECIAL DESIGN AVAILABLE UPON REQUEST																	

Revision 113



LEGION Legion Industries, Inc. P.O. Office Box 728 Waynesboro, GA 30830 (800) 887-1988
(706) 554-4411 Fax: (706) 554-2035 www.legionindustries.com sales@legionindustries.com