

# BACK BAR STORAGE LIQUOR AND GLASS STORAGE CABINETS

MODEL: \_\_\_\_\_ PROJECT: \_\_\_\_\_ ITEM #: \_\_\_\_\_ QTY: \_\_\_\_\_

## PRODUCT IMAGE



KR-L24 shown with optional 4" legs

**AVAILABLE IN 18" & 24" SIZES**

## STANDARD FEATURES

- **Sides**  
20 gauge stainless steel
- **Back and Bottom**  
20 gauge galvanized back. 18 gauge galvanized bottom
- **Interior**  
20 gauge stainless steel  
28 1/2" High x 16" or 22" Wide front opening  
4 steps

## PRODUCT IMAGE



KR-G24 shown with optional 4" legs

**AVAILABLE IN 18" & 24" SIZES**

## STANDARD FEATURES

- **Sides**  
20 gauge stainless steel
- **Back and Bottom**  
20 gauge galvanized back. 18 gauge galvanized bottom
- **Interior**  
20 gauge stainless steel

## OPTIONAL ACCESSORIES

- |                 |                                       |                 |  |
|-----------------|---------------------------------------|-----------------|--|
| ■ <b>BB-100</b> | Four 6" Stainless Steel Legs          | ■ <b>BB-124</b> | 24" Stainless Steel Front Kick Plate     |
| ■ <b>BB-102</b> | Four 4" Stainless Steel Legs          | ■ <b>BB-125</b> | Optional Stainless Steel Top             |
| ■ <b>BB-106</b> | Left Side Stainless Steel Kick Plate  | ■ <b>BB-130</b> | 1" Ultra Low profile casters with Brakes |
| ■ <b>BB-107</b> | Right Side Stainless Steel Kick Plate | ■ <b>BB-132</b> | Four 2" Low profile casters with Brakes  |
| ■ <b>BB-118</b> | 18" Stainless Steel Front Kick Plate  | ■ <b>BB-134</b> | Four 3" casters with Brakes              |

### APPROVED BY:

### CERTIFICATIONS:

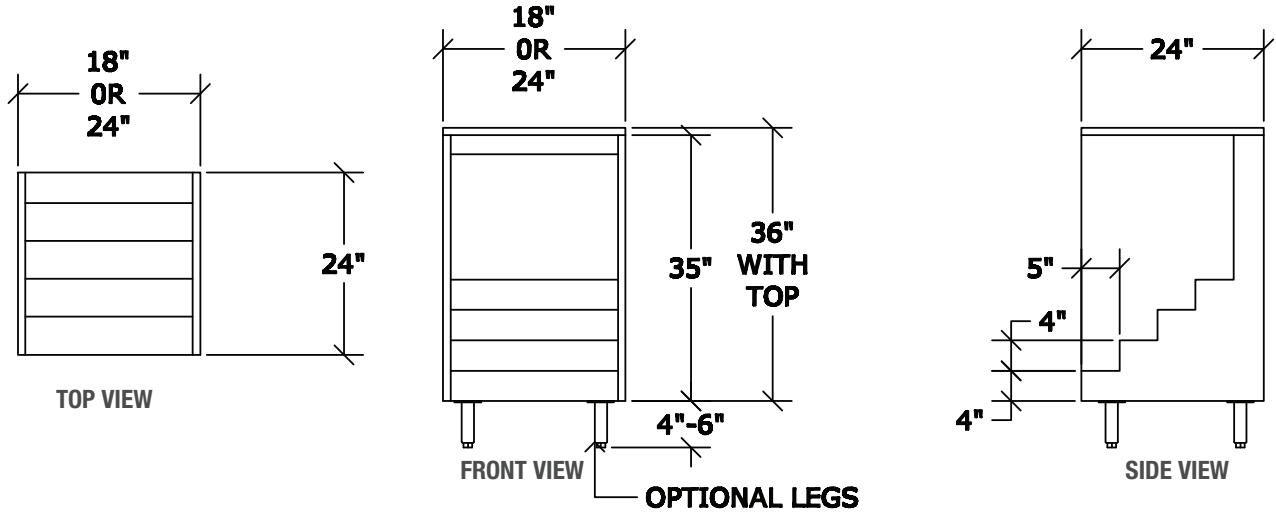
Due to our commitment to continued product improvement, specifications are subject to change without notice.

# BACK BAR STORAGE

## LIQUOR AND GLASS STORAGE CABINETS

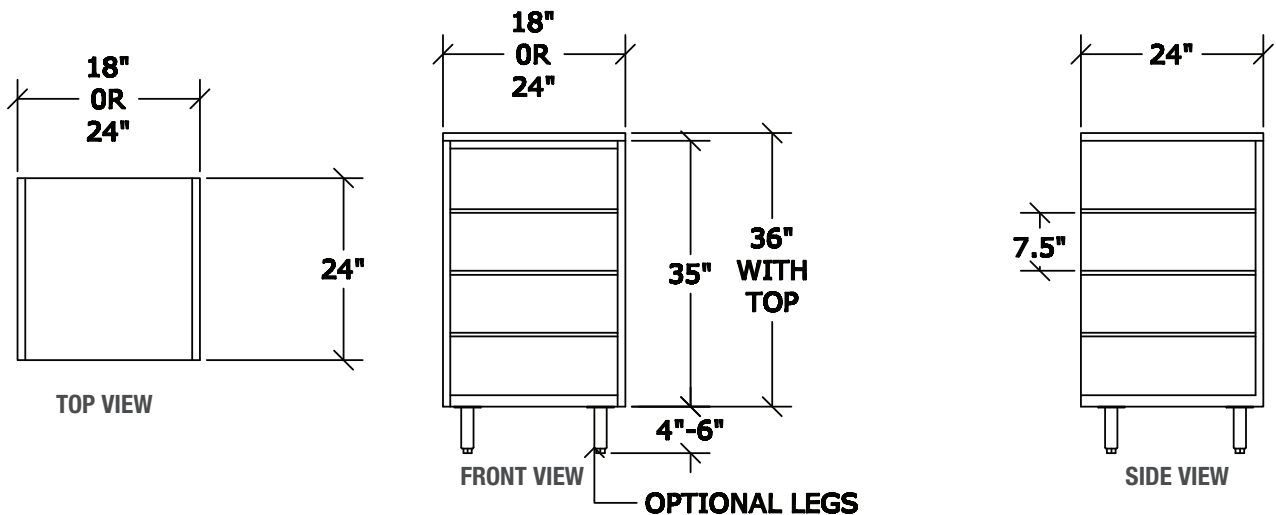
MODEL: \_\_\_\_\_ PROJECT: \_\_\_\_\_ ITEM #: \_\_\_\_\_ QTY: \_\_\_\_\_

### BACK BAR LIQUOR STORAGE



Model Numbers	Overall Length	Weight (lbs.)
KR-L18	1'-6"	105
KR-L24	2'-0"	125

### BACK BAR GLASS STORAGE



Model Numbers	Overall Length	Weight (lbs.)
KR-G18	1'-6"	110
KR-G24	2'-0"	130

**Note:** Optional casters raise height 1" higher than wheel size  
**Note:** Optional 4" or 6" legs available

#### APPROVED BY:

#### CERTIFICATIONS:

Due to our commitment to continued product improvement, specifications are subject to change without notice.