



**John
BOOS**
Since 1887

ITEM #: _____ QTY: _____

MODEL #: _____

PROJECT NAME: _____

3601 S. Banker St. Effingham, IL 62401 • P.O. BOX 609 • Ph: (888) 431-2667 • Fax: (800) 433-2667

JANITOR CABINET WITH MOP SINK

FEATURES:

- TYPE 300 STAINLESS STEEL WITH #4 POLISH SATIN FINISH
- ALL EXPOSED HARDWARE IS TAMPER PROOF
- INCLUDES OVERHEAD SHELF FOR CHEMICAL STORAGE
- (2) - SWING LOCKABLE LOUVERED DOORS
- (1) - OVERSIZED MOP SINK 24" X 24" X 12" DEEP
- BOTTOMS OF BOWLS FORMED FOR DRAINAGE TO 3-1/2" DIAMETER DIE STAMPED OPENING
- INCLUDES (1) - HEAVY DUTY SERVICE FAUCET (PBF-SS-6)
- INCLUDES (1) - 10' SERVICE FAUCET HOSE (PB-HOSE-120)
- REAR MOUNTED MOP HOLDER W/ (3) LOCKING CAMS
- MOUNTING LOCATION OF SERVICE FAUCET CAN BE SPECIFIED BY KITCHEN EQUIPMENT CONTRACTOR.

CONSTRUCTION:

- CABINET: STAINLESS STEEL TOPS CABINETS TIG WELDED, EXPOSED WELDS ARE POLISHED TO MATCH ADJACENT SURFACE

MATERIAL:

- CABINET: 18GA TYPE 300 STAINLESS STEEL WITH #4 POLISH, SATIN FINISH
- ALUMINUM DOOR LATCH ROD



PBF-SS-6

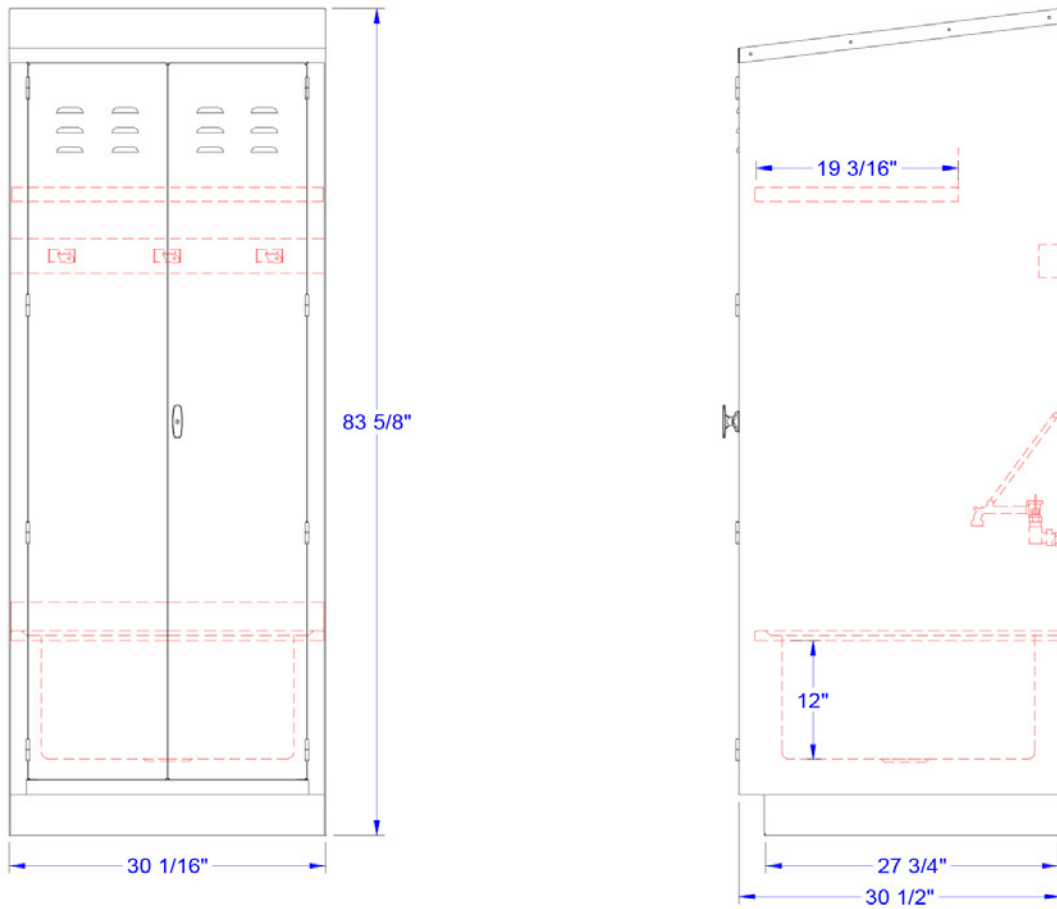
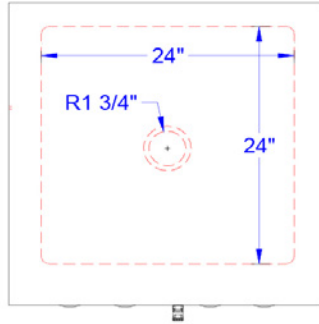


PB-HOSE-120

JANITOR CABINET WITH MOP SINK

MODEL	QTY
PBJC-303084	

DETAILED SPECIFICATIONS



JANITOR CABINET WITH MOP SINK

MODEL	OVERALL SIZE (LxWxH)	MOP SINK SIZE (LxWxH)	WT. (LBS)
PBJC-303084	30-1/16" X 30-1/2" X 83-5/8"	24" X 24" X 12"	415

SOME UNITS SHIP UNASSEMBLED FOR REDUCED SHIPPING COST. ALL DIMENSIONS ARE TYPICAL. TOLERANCE +/- .500"
 John Boos & Co. is constantly engaged in a program of improving products and therefore reserves the right to change specifications without prior notice.



3601 S. Banker St. • Effingham, IL 62401 • PO BOX 609 • quotes@johnboos.com



www.johnboos.com