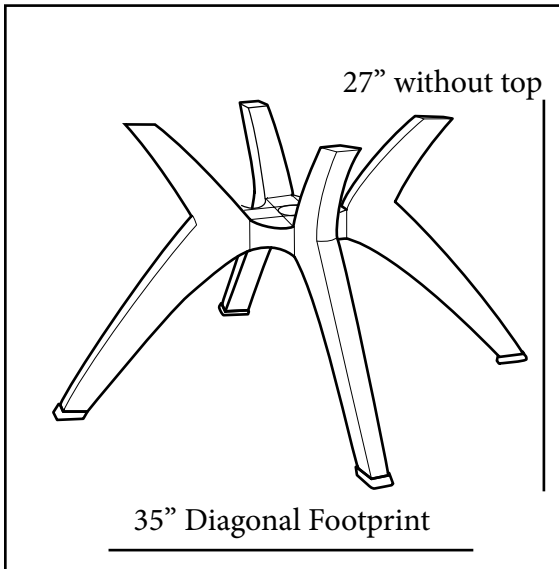




New Color!

Y Leg Resin Pedestal Base



Features & Benefits **Warranty: 1 Yr.**

- Elegant tulip base design.
- Specifically made for 42" & 48" round pool side tables in hospitality settings.
- Made of 100% prime resin, a material impervious to moisture, salt air, chlorine and most common stains.
- 40" base span for extra stability.
- Umbrella hole fits all Grosfillex 1 1/2" umbrella poles.
- Specifically designed to allow the use of Grosfillex 35 lb. table umbrella base with optional 35 lb. base ring, or the resin umbrella base with filling cap.
- Plastic brackets and hardware pack for assembly with molded melamine table tops.
- Complete tables can be custom designed by mixing this base in any of the available table top colors.
- Easy to assemble.

Product Specifications						
Product Description	Reference Number	Color	UPC Code 014306	Weight Each (lbs.)	Master Pack	Master Pack Volume (cu. ft.)
Y Leg Resin Pedestal Base	US850004	White	117829	13.00	1	2.25
	US850078	Amazon Green	117881			
	US850037	Bronze Mist	128115			
Charcoal Returns!	US850002	Charcoal	118611			