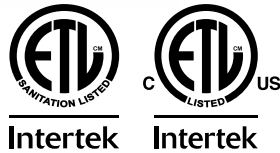


Project: _____	AIA# _____
Item #: _____ Qty: _____	SIS# _____
Model #: _____	

## Lettuce Crisper



LC



Conforms to NSF/ANSI STD 7 and UL STD 471  
 Certified to CSA STD C22.2 No. 120  
 Meets NSF 7 requirements for open food storage

### Standard Features

- Self-contained forced air refrigeration system for uniform cooling of product
- Automatic condensate evaporator
- Digital T-STAT control with automatic defrost
- All stainless steel interior construction
- Stainless steel foamed-in-place insulated door and lettuce chute
- Chute with flip-up door for easy access to lettuce
- Stainless steel exterior construction with galvanized steel back and bottom
- Removable plastic lettuce bin and stainless steel divider (additional bins and dividers available)
- CFC free foamed-in-place insulation
- Removable condenser air inlet filter for easy cleaning
- Bracket for wall mounting
- 4" adjustable legs available
- Six-foot grounded cord and plug provided

### Specifications

#### Electrical

- 120V, 1 phase, 60 Hz, 3.0 full load amps
- Separate 15 amp circuit is required
- Includes a 6-foot NEMA 5-15P grounded cord
- Available with 220V, 1 phase, 50Hz electrical



#### Refrigeration

- 1/8 HP, R134a refrigerant
- 1,228 BTU/hr heat rejection

#### Plumbing

- Automatic condensate evaporator. No drain connection required.

#### Lettuce Bin

- Removable plastic bin and stainless steel divider included

#### Operating Range

- 34°F (1°C) to 40° F (4°C)

#### Hinge Location

- Standard hinge location is right. Factory set left door hinge is optional. Door is field reversible.

#### Legs (Optional)

- 4" stainless steel adjustable legs

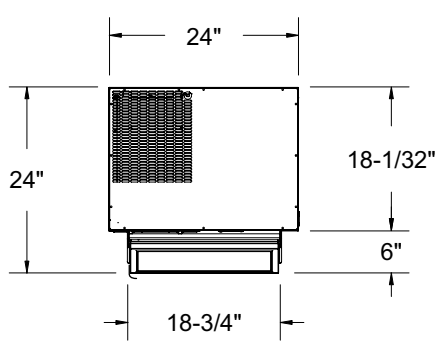
#### Materials

- Stainless steel parts include: interior, door, lettuce chute, flip-up lid, and exterior front, sides and top
- Galvanized steel parts include: back, condensing unit and exterior bottom
- Roto-molded plastic parts include: lettuce bin

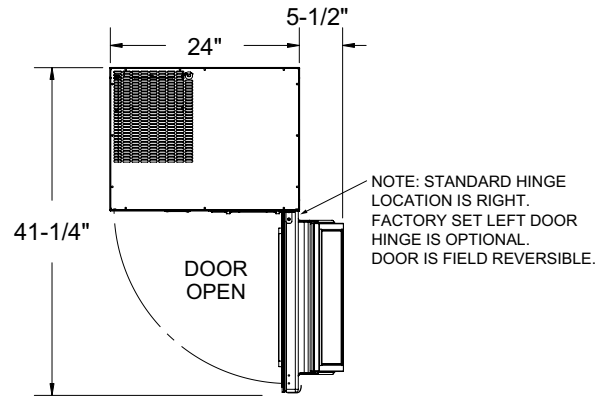
<b>Glastender, Inc.</b> • 5400 North Michigan Road • Saginaw, MI • 48604-9780 989.752.4275 • 800.748.0423 • Fax 989.752.4444 <a href="http://www.glastender.com">www.glastender.com</a>	Approval/Notes:
Specifications subject to change without notice. For current specifications please visit our website.	

# Lettuce Crisper

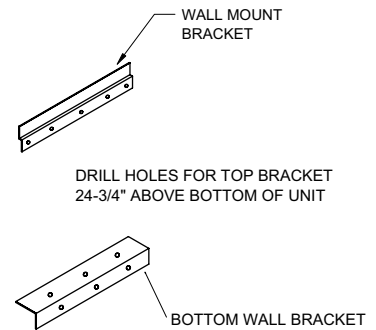
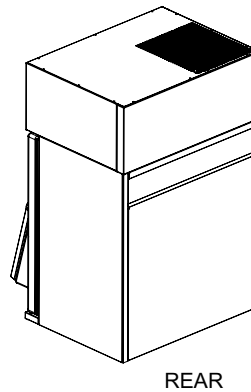
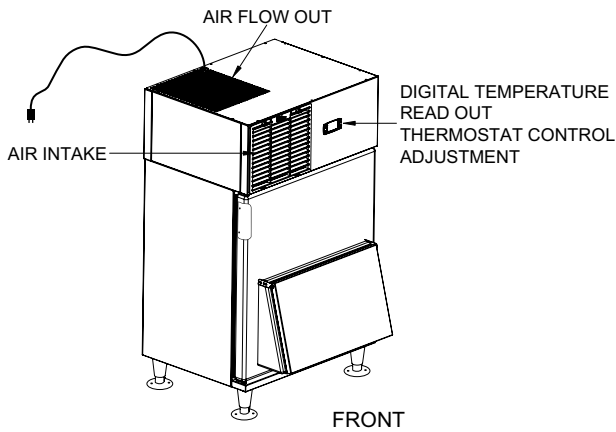
## Dimensional Information



FRONT

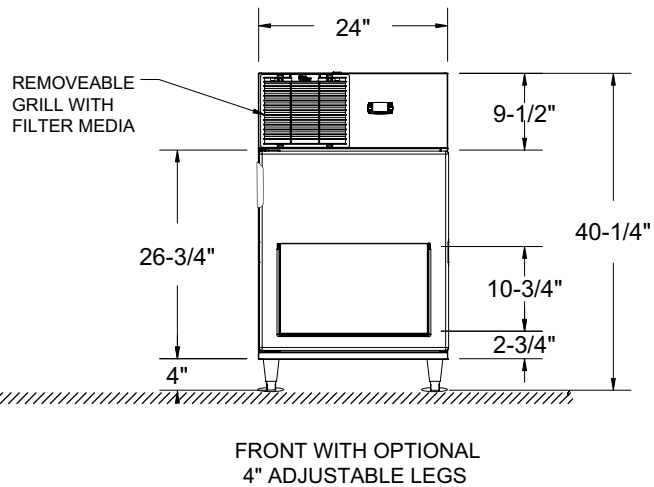
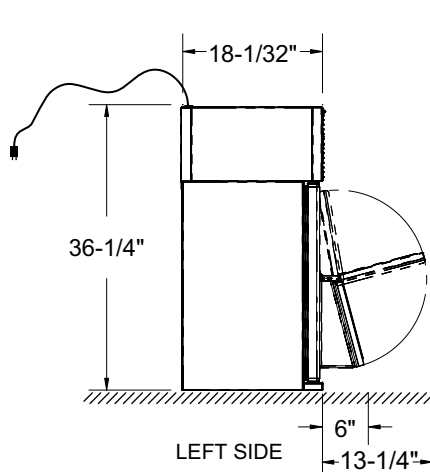


## PLAN VIEWS



8" OF AIR SPACE IS REQUIRED ABOVE LETTUCE CRISPER TO ALLOW FOR AIR FLOW OUT  
WARNING: COMPRESSOR FAILURE DUE TO RESTRICTION OR BLOCKAGE OF AIR FLOW WILL VOID WARRANTY.

## ISOMETRIC VIEWS



## ELEVATION VIEWS



5400 North Michigan Road • Saginaw, MI • 48604-9780  
989.752.4275 • 800.748.0423 • Fax 989.752.4444  
www.glastender.com

Printed in USA