

Models □ M-95-2 208V □ M-95-2 240V □ M-95-3 208V □ M-95-3 240V □ M-95-2CD 230V □ M-95-3FC-EUR 230V

PRODUCT:

QUANTITY:

ITEM:

Designed Smart

- The M-95-2 Bun Grill toaster can generate up to 865 bun halves per hour (35 second gear) and M-95-3 Bun Grill can generate up to 1300 bun halves per hour.
- Bun Grill toasters are available with 22 second, 35 second, 45 second and 55 second gears.
- Fast heat-up allows your operation to react to surges in volume.
- Bun Grill toasters come with extended Superfeed to allow for high volume production.
- Patented “self-leveling” conveyor automatically adjusts to various sizes of buns, bagels, and Texas toasts.
- A variety of gear options allow your operation to select speeds that result in your desired toasted bun surface and internal bun temperatures.
- Butter roller and pan consistently covers buns with the perfect amount of butter.
- Durable nickel-coated steel griddle plate is thermostatically controlled between 200 to 500 degrees.
- Removable side panel allows easy access for service.
- Removable conveyor paddle system allows internal cleaning of the conveyor (power soaking) and the griddle plate (spray cleaner and pads).



Model M-95-3

Options

- PTFE Sheet Kit (10) sheets
M-95-2 (84177) M-95-3 (84176)
- Recommend using PTFE sheets for buns being toasted without any clear (whirl) food oil (dry toasting) or with high protein butters (garlic butter, butter with cheese in it).
- Bun slide (collects buns and butter)
- Different gear speeds (approximate times)
- Toasters can be ordered with various gear packages depending on your operation’s needs (consult the factory).
- If you want retrofit an existing toaster to a different speed in the field, you can order the following kits for changing speeds: 26 sec., 45 sec., 55 sec., 85sec. (M-95-3 only) PS0007

APW Wyott Design Features

- Compact, vertical design allows unit to fit into tight counter areas.
- Stainless steel construction will provide years of toasting performance.
- Nickel plated steel griddle plate stands up to years of grilling and cleaning.
- Fast-grills a bun as fast as 22 seconds (first) with subsequent buns being toasted every 6 seconds.
- Fast warm up.
- Use wet or dry.
- 4” adjustable legs.
- Snap-lock construction, easy to clean.
- Butter wheel and butter pan.
- M95-2 comes standard with two PTFE sheets and bun slide.
- M-95-3 does not come standard with PTFE sheets or bun slide (can be ordered separately).

Reliability backed by APW Wyott’s Warranty

All APW Wyott Toasters are backed by a 1-year parts and labor warranty, including on-site service calls within 50 miles of authorized service technicians.

•Certified by the following agencies:



See reverse side for product specifications.

PRODUCT SPECIFICATIONS:

Construction:

Constructed of heavy-duty stainless steel. Nickel plated steel griddle plate. Stainless steel conveyor and paddle weights. Stainless steel butter roller and pan. 4" adjustable legs.

Electrical Information:

Each unit is equipped with a 39", three wire grounded power cord which terminates with a standard three pronged male plug. The 208V/240V, use a NEMA 6-20P plug.

Electrical Specifications:

M-95-2: 208V, 2780W, 13.4Amps
230V, 2550W, 11.1Amps
240V, 2780W, 11.6Amps

M-95-3: 208V, 2780W, 13.4Amps
230V, 2550W, 11.1Amps
240V, 2780W, 11.6Amps

Capacity:

4" Bun (35 second gear-consecutive slices come every 8.3 sec.)

M-95-2: 864 pieces per hour
M-95-3: 1296 pieces per hour

4" Bun (55 second gear-consecutive slices come every 13 sec.)

M-95-2: 545 pieces per hour
M-95-3: 818 pieces per hour

5" Bun (35 second gear-consecutive slices come every 10.4 sec.)

M-95-2: 692 pieces per hour
M-95-3: 1038 pieces per hour

5" Bun (55 second gear-consecutive slices come every 16.25 sec.)

M-95-2: 436 pieces per hour
M-95-3: 654 pieces per hour

Overall Dimensions:

M-95-2: 28 5/16"H x 21 5/8"W x 16 5/16"D
M-95-3: 30 1/2"H x 24 1/2"W x 17 1/2"D

Shipping:

M-95-2: 97 lbs.
M-95-3: 105 lbs

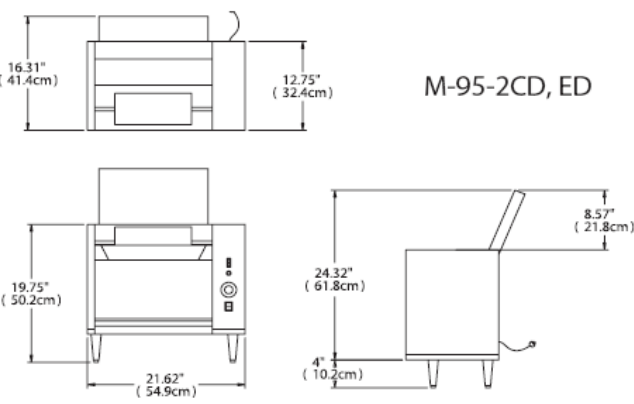
Freight Class: 100

FOB: Allen, TX 75013

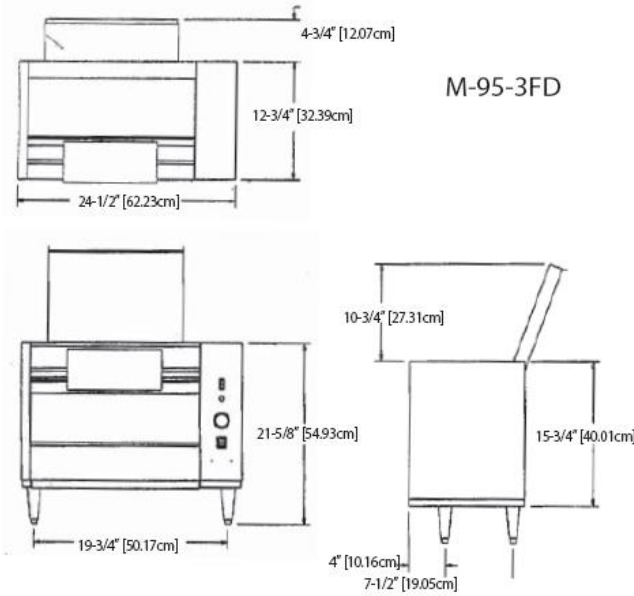
Consultant Specifications

Toasters are constructed of stainless steel and aluminum material. Range of belt speeds should be 28 to 75 seconds. Front corners and front conveyor guard should be painted. Toasters furnished with 1" adjustable legs. Infrared metal sheathed radiant heaters are located on the top and bottom and are individually controlled by Infinite Heat Controls. On/Off switch has Indicator Light that glows when the toaster is on. Power saver switch will be supplied that reduces energy by 50%. Product opening is 1 1/2", motors are permanently lubricated. Toaster will be Air Cooled with a thermostatically controlled fan that stays on until the toaster is cool to the touch. Control area has cooling fan. Units are UL listed, UL Sanitation, and Canadian UL approved.

*APW Wyott reserves the right to modify specifications or discontinue models without incurring obligation.



M-95-2CD, ED



M-95-3FD